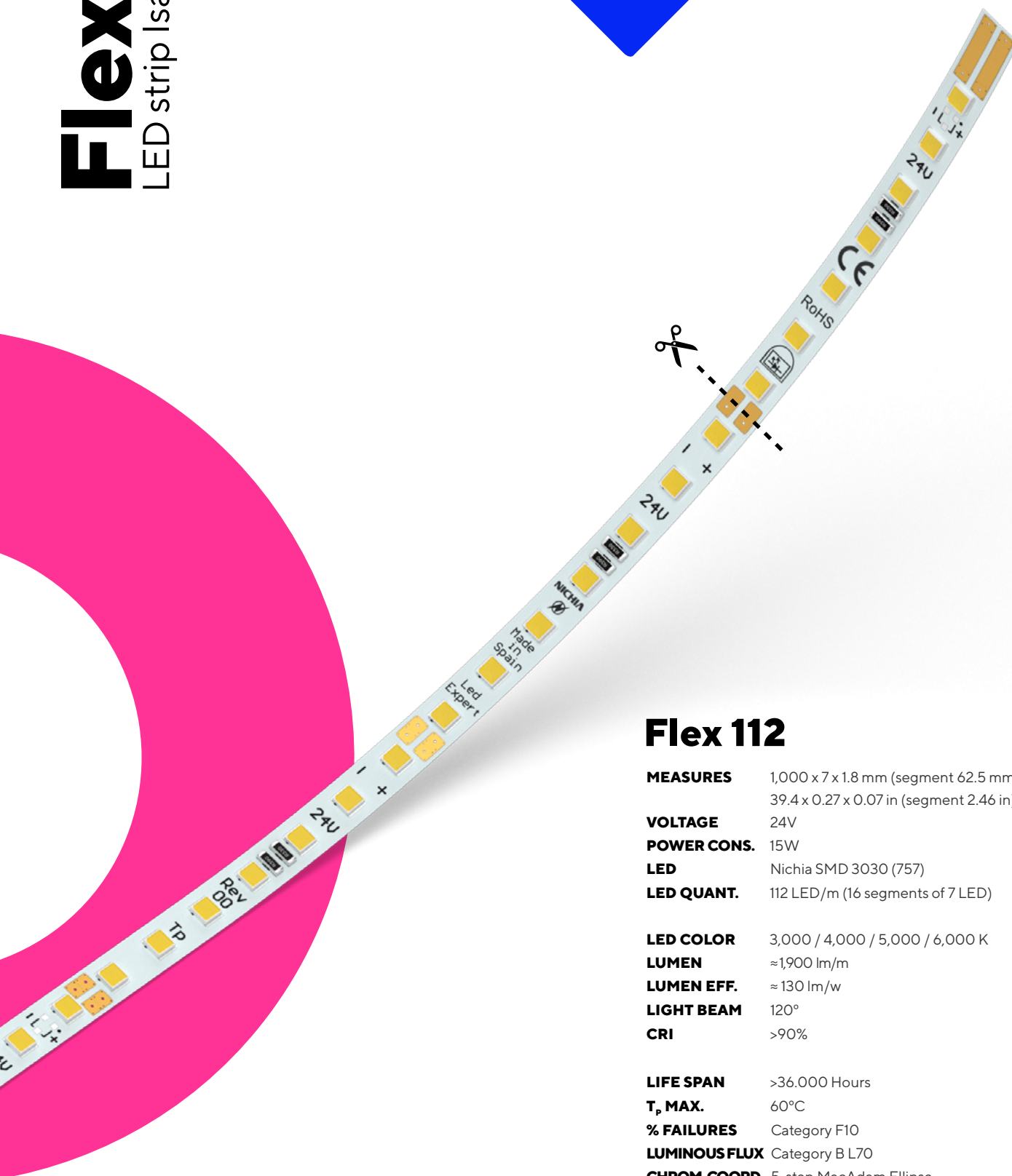


Flex 112

LED strip Isamu



Flex 112

MEASURES	1,000 x 7 x 1.8 mm (segment 62.5 mm) 39.4 x 0.27 x 0.07 in (segment 2.46 in)
VOLTAGE	24V
POWER CONS.	15W
LED	Nichia SMD 3030 (757)
LED QUANT.	112 LED/m (16 segments of 7 LED)
LED COLOR	3,000 / 4,000 / 5,000 / 6,000 K
LUMEN	≈1,900 lm/m
LUMEN EFF.	≈130 lm/w
LIGHT BEAM	120°
CRI	>90%
LIFE SPAN	>36.000 Hours
T_p MAX.	60°C
% FAILURES	Category F10
LUMINOUS FLUX	Category B L70
CHROM. COORD.	5-step MacAdam Ellipse
PCB	Flexible copper (>75 microns)

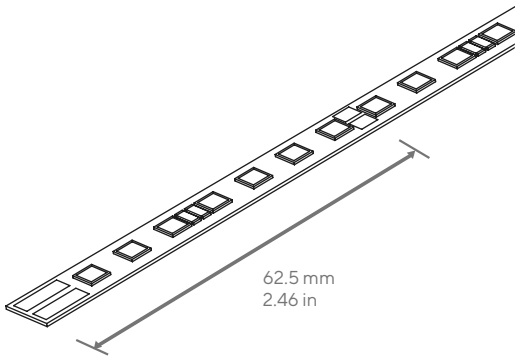


All rights reserved. The information in this document is subject to change without notice.
Manufactured in our installations in Barcelona, Spain.
C/ Josefina Vidal Folch 1-3, 08930 Barcelona (+34) 935 334 600 - www.actilum.com

Actilum Lux

INSTRUCTIONS

Flex 112



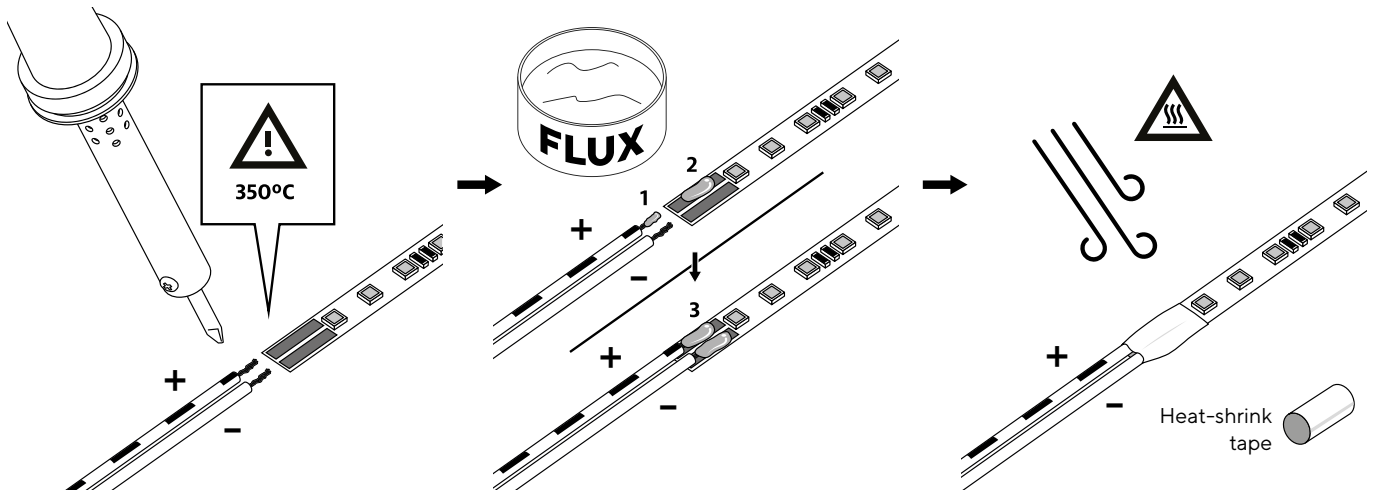
IMPORTANT SECURITY INSTRUCTIONS

This component is for indoor use due to its IP44 protection (to achieve greater watertightness, it must be closed in a space that guarantees the required IP). Regularly check the cable, transformer and all other components in search of damage. If any component is damaged, do not use the product. Important information! Keep these instructions for future reference.

ATTENTION!

The light source of this product consists of light-emitting diodes (LEDs) that cannot be replaced. Do not disassemble the product; light-emitting diodes may cause damage to the eyes. Do not immerse in water.

1. Cable welding

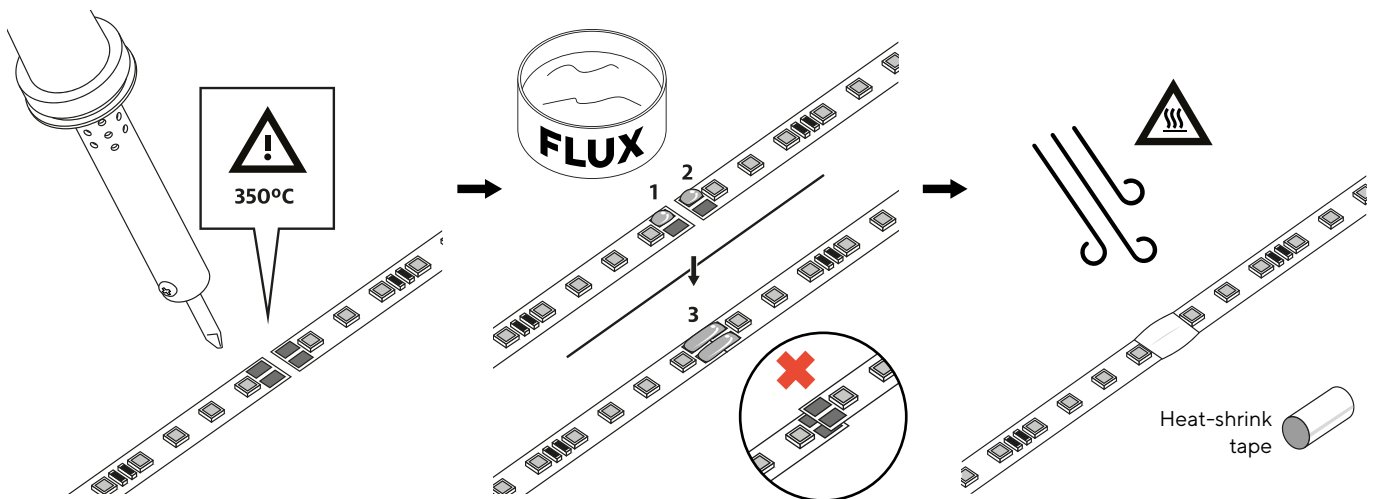


Weld the cables to the LED strip on the pads with the use of tin and a soldering iron at 350°C.

Immerse the soldering iron in the Flux paste to improve adhesion in welds.

Use a shrink tape to isolate connections.

2. Welding between sections



Tin the pads of the LED strips with a soldering iron at 350°C.

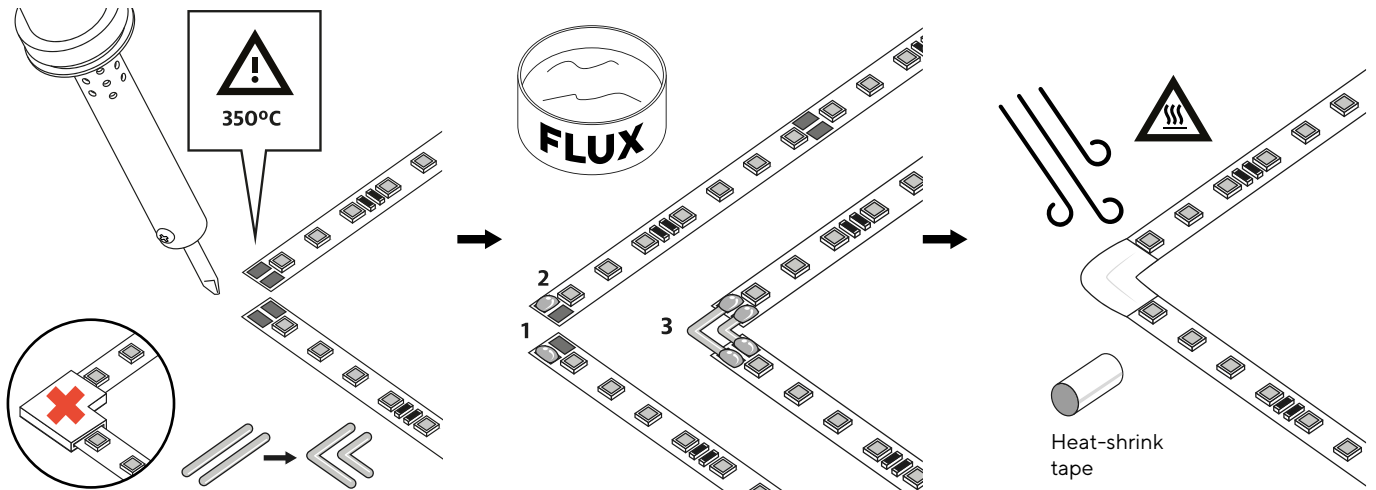
Use Flux paste in the welds.
Do not overlap the pads of the LED strips.

Use heat-shrink tape to insulate the joints between sections of LED strips.



INSTRUCTIONS

3. Corner welding

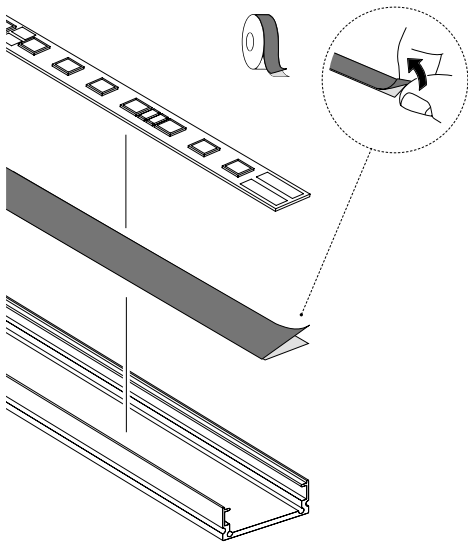


Do not use pressure brackets, use a rigid cable of 0.3 mm peeled and bent at 90°.

Apply solder to the pads and then solder the rigid wire. Dip the soldering iron in Flux paste.

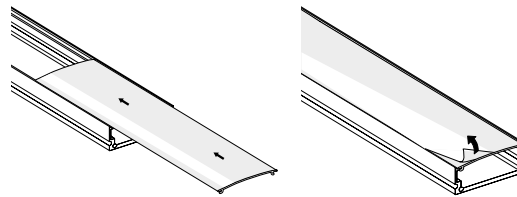
Use heat-shrink tape to insulate the connections.

4. Fixing on the Flex Cover profile



Place the module completely centered and flat on the profile using the adhesive.

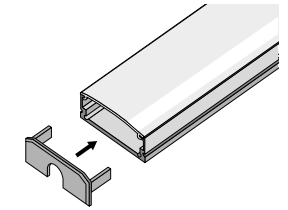
5. Protector



Insert the protector by sliding it along the profile.

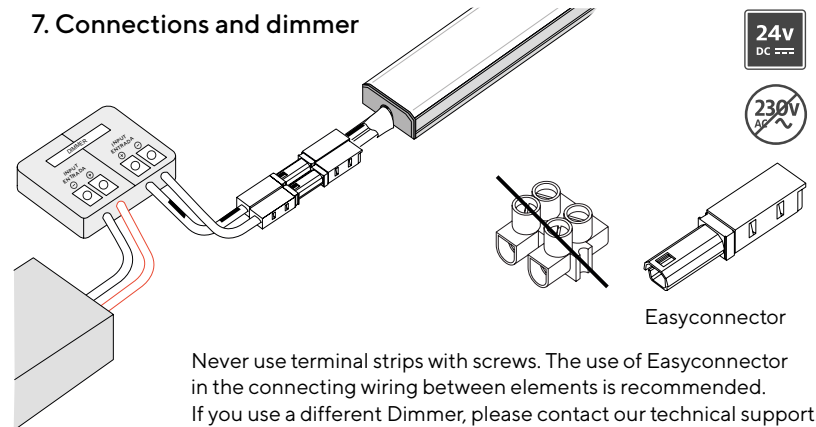
Remove the plastic cover of the protector.

6. Cover



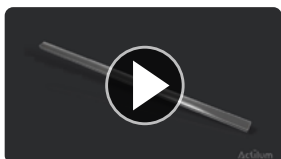
Close the set with covers.

7. Connections and dimmer



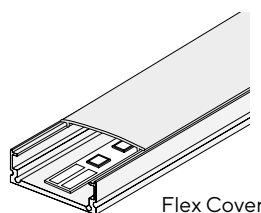
Never use terminal strips with screws. The use of Easyconnector in the connecting wiring between elements is recommended. If you use a different Dimmer, please contact our technical support.

Video demo

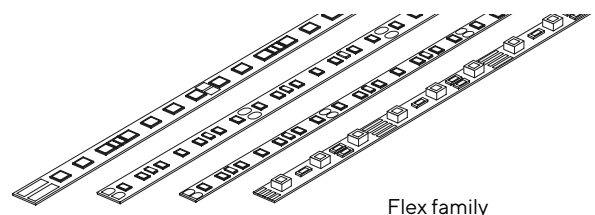


vimeo.com/actilum/Line-Ledexpert

Related products



Flex Cover



Flex family



All rights reserved. The information in this document is subject to change without notice.
Manufactured in our installations in Barcelona, Spain.
C/ Josefina Vidal Folch 1-3, 08930 Barcelona (+34) 935 334 600 - www.actilum.com