

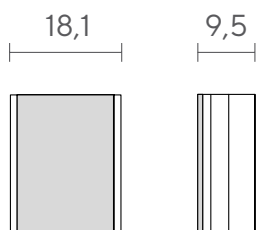
Flex Cover

LED strip profile



DETAIL

Dimensions in mm



MEASURES (UN) 3,000 x 13 x 7 mm
(118,1 x 0.43 x 0.39 in)

MATERIAL Aluminium

COLOR Anodized matte



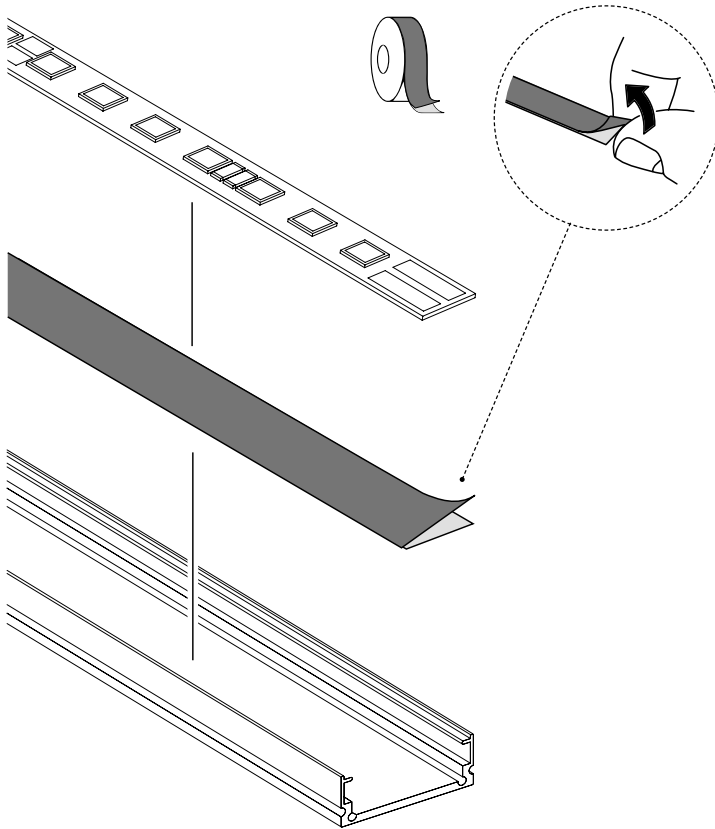
All rights reserved. The information in this document is subject to change without notice.
Manufactured in our installations in Barcelona, Spain.
C/ Josefina Vidal Folch 1-3, 08930 Barcelona (+34) 935 334 600 - www.actilum.com

Actilum **Filum**

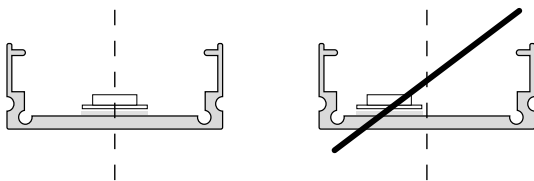
APPLICATIONS

Instructions for the Flex family

Fixing to the profile

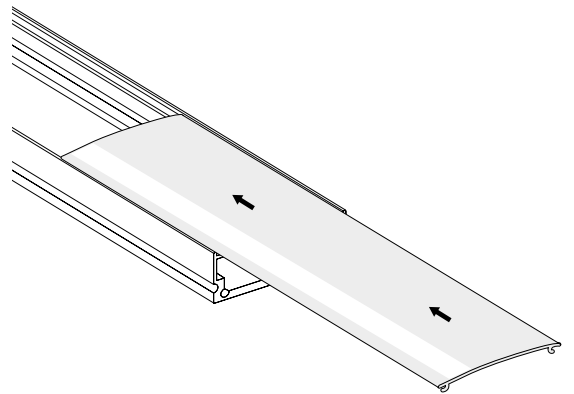


Place the module completely centered and flat on the profile.

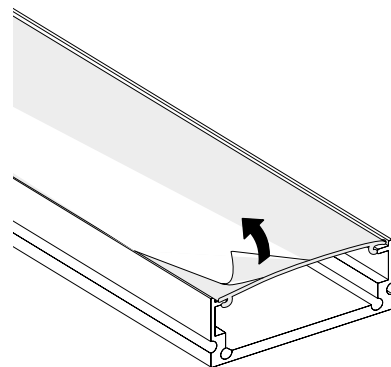


Protector

1 Insert the protector by sliding it along the profile.

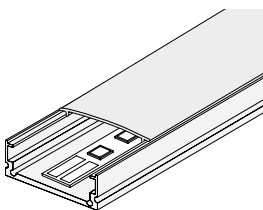


2 Remove the plastic cover of the protector

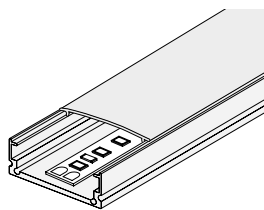


Compatible products

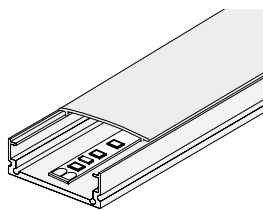
Flex 112



Flex 126



Flex 182



Flex 72 RGB

