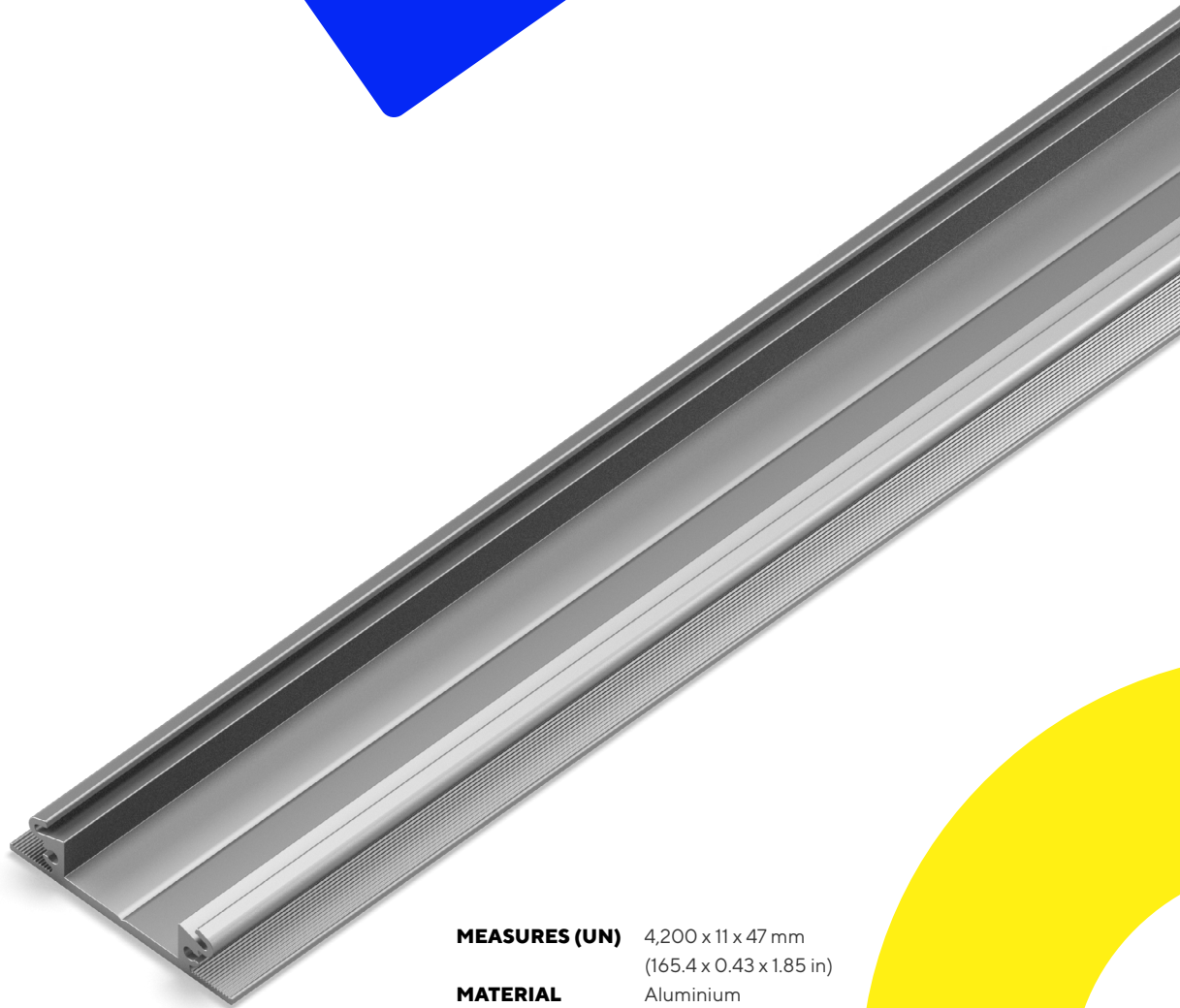


Frontline Cover

Profile front



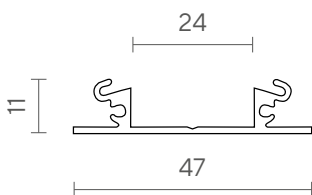
MEASURES (UN) 4,200 x 11 x 47 mm
(165.4 x 0.43 x 1.85 in)

MATERIAL Aluminium

COLOR Anodized matte

DETAILED PLAN

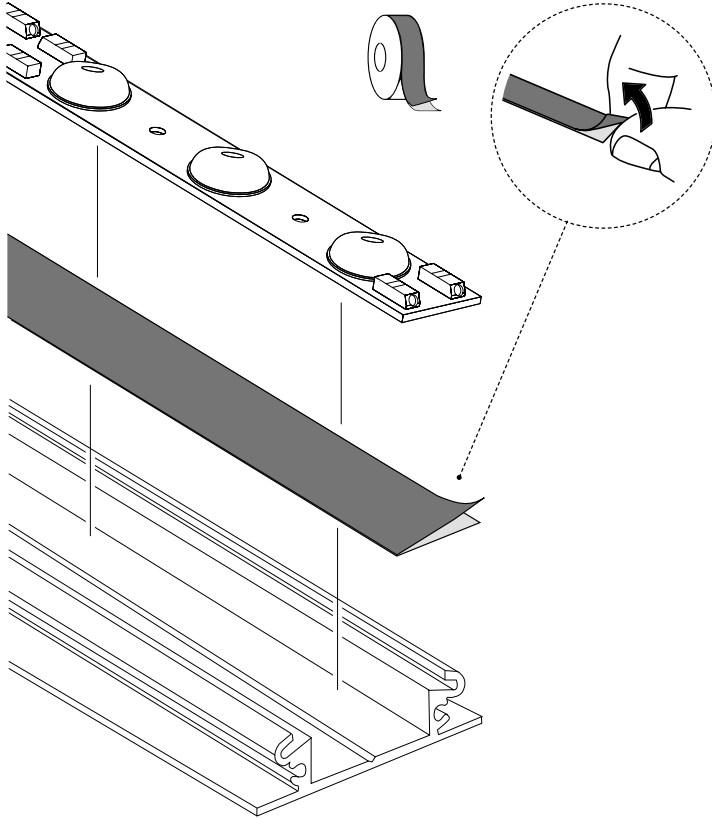
Dimensions in mm



APPLICATIONS

Instructions for the Frontline family

Fixing to the profile

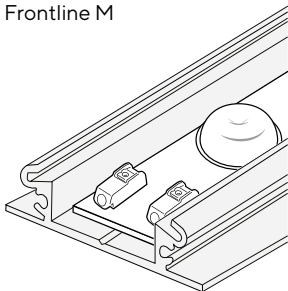


Place the module completely flat on the profile.



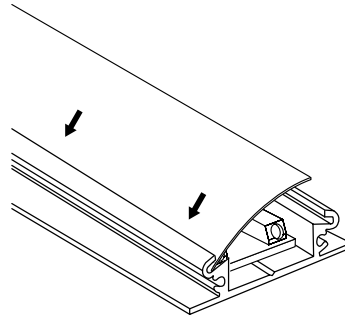
Compatible products

Frontline M

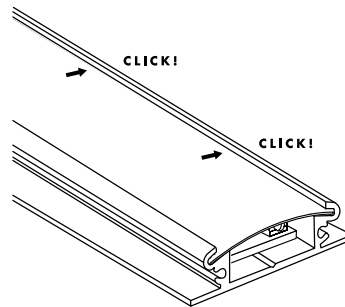


Protector

1 Insert the protector along one side of the profile.



2 Fit the opposite side by pressing.



Do not slide, this action damages the protector.

